

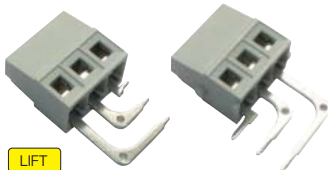
Single Deck Terminal Blocks with Rising Clamp (continued)



ML253-5-D(S)-LC

Suitable for enclosures CEM17.

ML253-5-V-GY



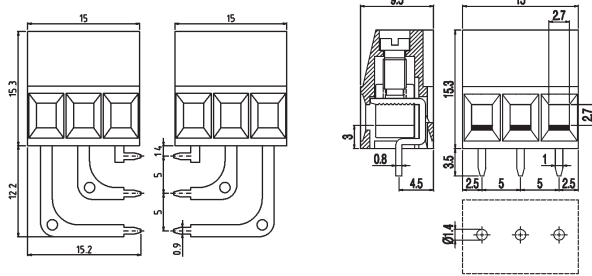
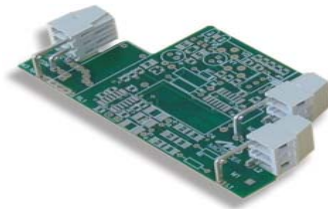
LIFT

ML253-5-D-LC

ML253-5-S-LC



LIFT



Technical Parameters	ML253-5-D(S)-LC	ML253-5-V-GY
Pitch	5mm	5mm
Mounting Position	pins right D (pins left S)	vertical
Wire Section	2,5mm ² strand. (AWG14) 4mm ² solid (AWG12)	2,5mm ² strand. (AWG14) 4mm ² solid (AWG12)
Rated Voltage	250V	250V
Rated Current	16A	16A
Stripping Length	7,6mm	7,6mm
Modular	-	-
Lift System	yes	yes
Working Temperature	125°C	125°C
Colour	grey	grey

Part No.	Ord. No.
S ML253-5-D-LC-GY	51910
S ML253-5-S-LC-GY	51911
S ML253-5-V-GY	65320

MVS15x-5-V

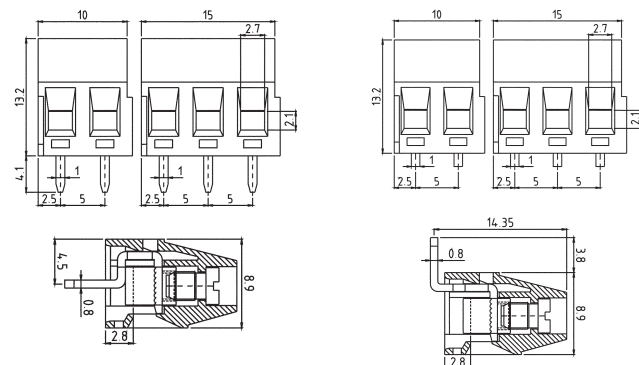
MVS15x-5-H



LIFT



LIFT

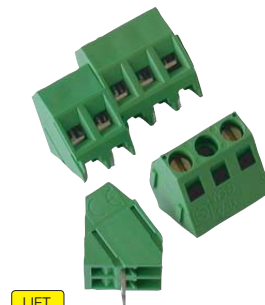


Technical Parameters	MVS15x-5-V	MVS15x-5-H
Pitch	5mm	5mm
Mounting Position	vertical	horizontal
Wire Section	1,5mm ² strand. (AWG16) 2,5mm ² solid (AWG14)	1,5mm ² strand. (AWG16) 1,5mm ² solid (AWG16)
Rated Voltage	450V	450V
Rated Current	17,5A	17,5A
Stripping Length	6,9mm	6,9mm
Modular	yes	yes
Lift System	yes	yes
Working Temperature	125°C	125°C
Colour	green	green

Part No.	Ord. No.
O MVS152-5-H	51445
O MVS153-5-H	51446
S MVS152-5-V	51217
S MVS153-5-V	51218

MVS15x-5-IT

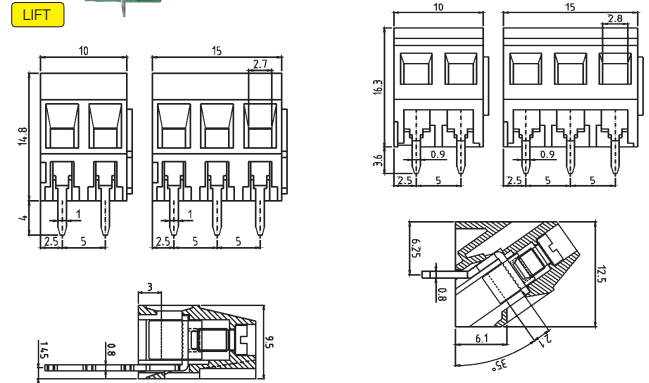
MI25x-5-IQ



LIFT



LIFT



Technical Parameters	MVS15x-5-IT	MI25x-5-IQ
Pitch	5mm	5mm
Mounting Position	angular 35°	angular 45°
Wire Section	1,5mm ² strand. (AWG16) 2,5mm ² solid (AWG14)	2,5mm ² strand. (AWG16) 4mm ² solid (AWG12)
Rated Voltage	450V	450V
Rated Current	17,5A	16A
Stripping Length	6,9mm	8,3mm
Modular	yes	-
Lift System	yes	yes
Working Temperature	125°C	125°C
Colour	grey	green

Part No.	Ord. No.
S MVS152-5-IT	50680
S MVS153-5-IT	50681
S MI252-5-IQ	51007