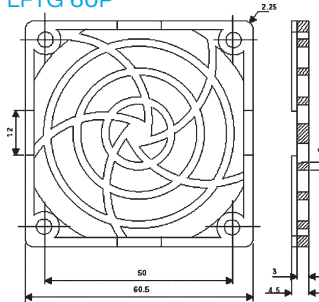


Fan Accessories

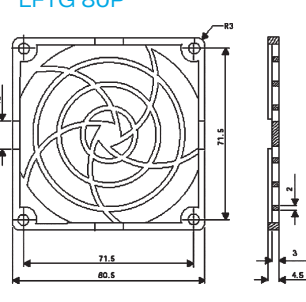
(continued)

Plastic Finger Guards

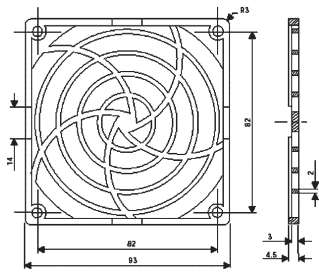
LFTG 60P



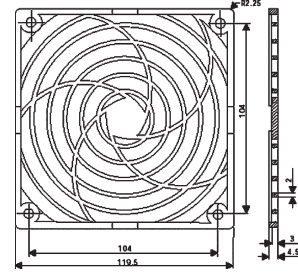
LFTG 80P



LFTG 92P



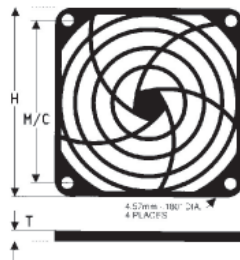
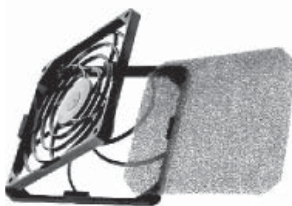
LFTG 120P



Part No.	Ord.No.	Suitable Fan
S LFTG 60P	4572	60x60
S LFTG 80P	4573	80x80
S LFTG 92P	4574	92x92
S LFTG 120P	4575	120x120

Filter Assemblies

Assemblies consist of guard, polyurethan foam filter and media retainer



Part No.	H	T	M/C
LFT 60 FI30	59,95	6,35	50,04
LFT 80 FI30	83,57	9,98	71,37
LFT 92 FI30	96,52	9,98	82,42
LFT 120 FI30	123,70	10,67	104,77

Part No.	Ord.No.	Suitable Fan
S LFT 60 FI30	7981	60x60
S LFT 80 FI30	7831	80x80
S LFT 92 FI30	7982	92x92
S LFT 120 FI30	7698	120x120

Filters for Plastic Finger Guards

Replacement filters for plastic finger guards LFTXX serie.



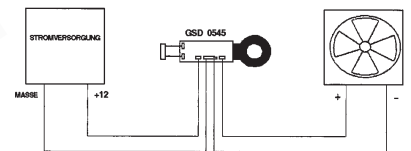
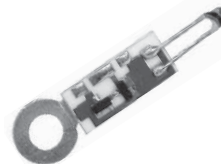
Part No.	Ord.No.	Permeability	Suitable for
o FE40FI30	70565	30ppi	LFT40FI30
o FE40FI45	70566	45ppi	LFT40FI45
o FE60FI30	70563	30ppi	LFT60FI30
o FE60FI45	55955	45ppi	LFT60FI45
o FE80FI30	8571	30ppi	LFT80FI30
o FE80FI45	55953	45ppi	LFT80FI45
o FE92FI30	5123	30ppi	LFT92FI30
o FE92FI45	55954	45ppi	LFT92FI45
o FE120FI30	7581	30ppi	LFT120FI30
o FE120FI45	7582	45ppi	LFT120FI45

Temperature - Dependent Fan Voltage Control for 12V DC Fans

LFTR 104

- Minimizes fan noise
- With NTC as temperature sensor
- For installation in a temperature-sensitive place
- Mounting by screw or cable tie
- LFTR104: mounting designed as cooling vane

Operating Voltage: 12V DC
Load: 400mA max.
Connectable Fan: 4,8W max.
Output Voltage Range: 5,5...11,4V approx.
Voltage Drop: 0,6V



Part No.	Ord.No.
S LFTR 104	7283

Fan Connection Cable



Connection cable with black PVC plug
Suitable for all fans with plug connectors
3x0,5mm

Part No.	Cable length	Ord.No.
S A2-03	30cm	61169
S A2-10	1m	52108
S A2-20	2m	27105
o A2-06	60cm	27104