

Plastic Enclosures for Power Supplies (continued)

ECONOMIC

KPZ5, KPZ5GR

The enclosure consists of two parts that can be screwed together by means of four screws. Supplied in black or grey colour, designed from polystyrene material with 4 feet.



PS

Part No.	Description, dimensions A x B x C
KPZ 5	Enclosure 63x70x114mm black+4feets+2leadthroughs
KPZ 5 GR	Enclosure 63x70x114mm grey+4feets+2leadthroughs
Part No.	Ord.No.
S KPZ 5	5798
S KPZ 5 GR	42945

KPZ6

The Enclosure consists of two parts that can be screwed together by means of four screws. Supplied in black colour with 4 feet and leadthrough.



PS

Part No.	Description, dimensions A x B x C
KPZ 6	Enclosure 65x76x176mm black+4feets+leadthrough
Part No.	Ord.No.
S KPZ 6	43245

KPZ8

The enclosure consists of three parts and it can be screwed together by means of four screws. Supplied in black colour.



PS

Part No.	Description, dimensions A x B x C
KPZ 8	Enclosure 74x100x179mm black, ventilation holes+leadthrough
Part No.	Ord.No.
S KPZ 8	43246

KM Series

KM 103

The enclosure consists of two parts that can be screwed together by means of four screws. In the bottom part there is a battery compartment for six AA size batteries with a removable cover.

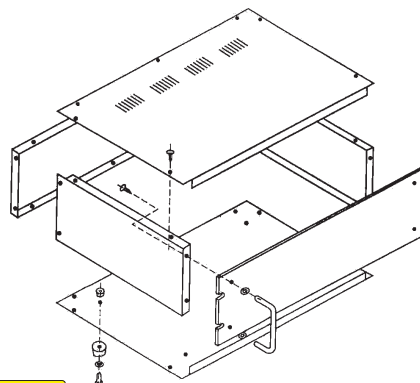


ABS

Part No.	Description, dimensions A x B x C
KM 103	ABS enclosure 190x93x40mm for 6xAA batteries
Part No.	Ord.No.
S KM 103	48203

Metal Enclosures for 19" Rack 19" RACK Series

Construction from 1,2 mm steel sheet. All screws, rubber feet, handles are included in delivery. Front panel width is 480mm. Matt black surface.



ocel 1,2mm

Part No.	Description, Dimensions W x D x H
19"RACK 1HE	19"RACK 440x290x44mm black, 1,2mm steel
19"RACK 2HE	19"RACK 440x290x88mm black, 1,2mm steel
19"RACK 3HE	19"RACK 440x290x132mm čierny, 1,2mm steel
19"RACK 4HE	19"RACK 440x290x176mm čierny, 1,2mm steel

Part No.	Ord.No.
S 19"RACK 1HE	1766
S 19"RACK 2HE	1767
O 19"RACK 3HE	49138
O 19"RACK 4HE	49139

ITALTRONIC DIN Rail Enclosures

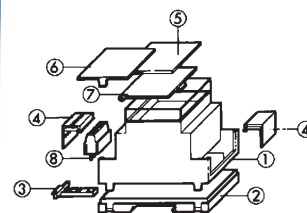
MODULBOX H53 Series



High quality DIN rail enclosures from ITALTRONIC. Designed from Noryl - self-extinguishing PPO (UL94V-0). Basic setup consists of 3 parts (1=body enclosure, 2=base and 3=hook - see the picture below).

We provide also different accessories for these enclosures: 4=terminal cover, 5=panel, 6=panel with hooks (standard), 7=panel with hinge, 8=terminal.

Please find informative prices of panels (5) and terminals covers (4) in the list below.



Noryl

Part No.	Description + enclosure width
MODULBOX DIN 1M H53	DIN rail enclosure 17,5mm
MODULBOX DIN 2M H53	DIN rail enclosure 36mm
MODULBOX DIN 3M H53	DIN rail enclosure 53mm
MODULBOX DIN 4M H53	DIN rail enclosure 71mm
MODULBOX DIN 6MD H53	DIN rail enclosure 106mm
MODULBOX DIN 9MD H53	DIN rail enclosure 160mm

Part No.	Ord.No.
S MODULBOX DIN 1M H53	57313
S MODULBOX DIN 2M H53	53617
S MODULBOX DIN 3M H53	57314
S MODULBOX DIN 4M H53	53616
S MODULBOX DIN 6MD H53	57315
S MODULBOX DIN 9MD H53	54181